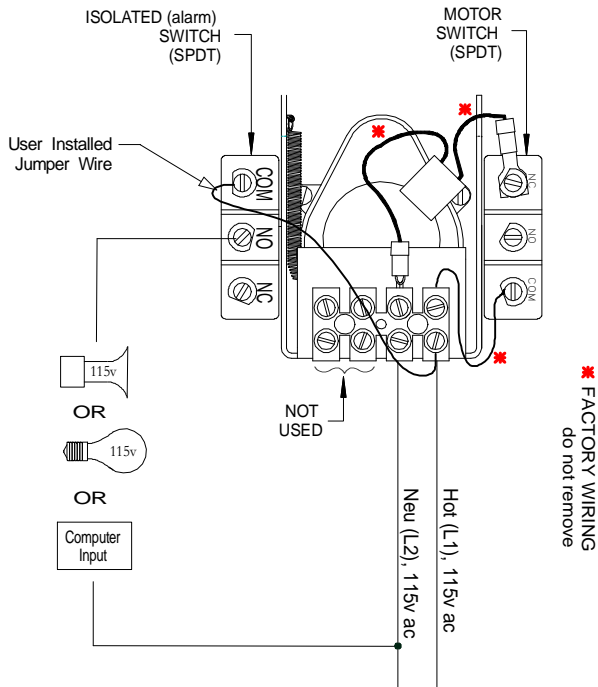


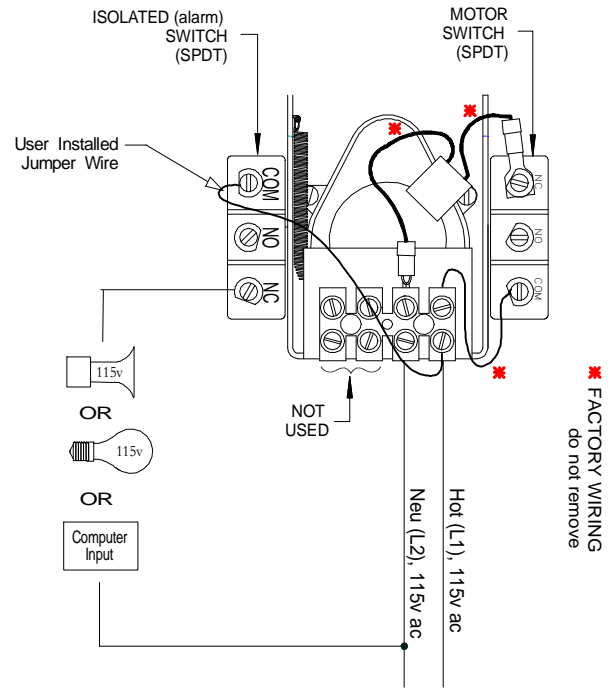
# Frequently Asked Questions

Sensor: KA/KAX Rotary Paddle Level Monitor  
Subject: 115V AC Wiring Simplified

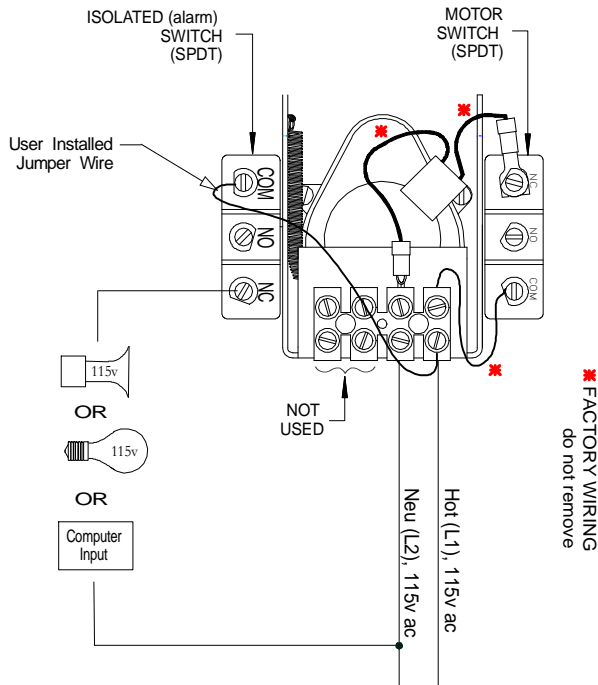
To energize a 115v AC alarm circuit upon detection of a high level condition;



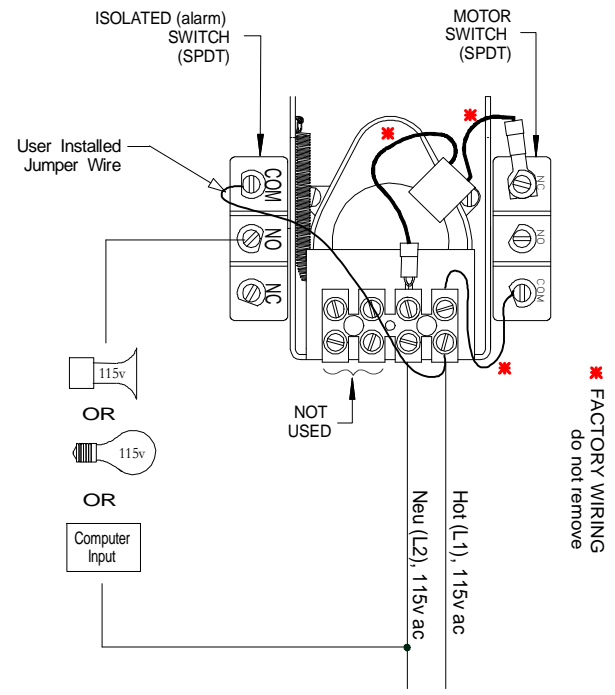
To de-energize a 115v AC alarm circuit upon detection of a high level condition;



To energize a 115v AC alarm circuit upon detection of a low level condition;



To de-energize a 115v AC alarm circuit upon detection of a low level condition;



FAQ090413



Monitor Technologies, LLC.  
Elburn, IL, USA  
www.monitortech.com